



POWERED AIRE INC.

www.poweredaire.com

AIRE CURTAIN INSTALLATION INSTRUCTIONS (Models CHS & THS)

***Trained and experienced mechanic / electrician required.**

Warning: Risk of electrical shock, can cause injury or death: Disconnect all remote electrical supplies before servicing. Visible or Concealed Damage:

Claims should be made immediately to the transportation company. Do not delay filing a claim. Powered Aire will not be liable for damage claims submitted late.

Unpacking:

Carefully remove enough of crate to expose aire curtain hold down screws. (Used to keep aire curtain in place during transit).

Electrical Installation:

Units must be field wired in accordance with all applicable local, state, provincial and national laws, including wire size and materials.

Mounting Note:

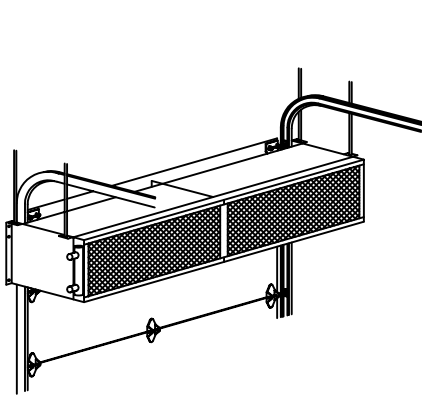
For every one inch the bottom of the aire curtain is mounted above the door header, the back side of aire curtain should be moved away from the wall 1/2 inch.

Mounting Option 1:

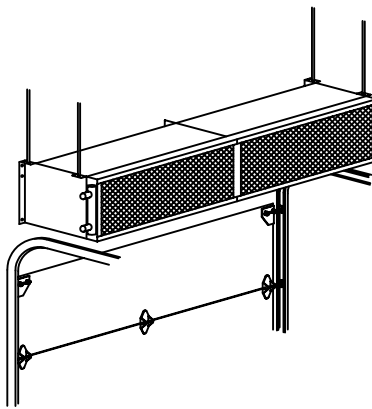
Top Mount - Unit has four 15/32 inch holes for installing one end of 7/16" threaded rods. The other ends of the threaded rods can be attached to the ceiling. Washers and lock washers or locknuts are recommended. Mounting structure should be of sufficient strength to hold aire curtain, and hardware (supplied by others) should be of sufficient strength and quality to support the unit safely.

Mounting Option 2:

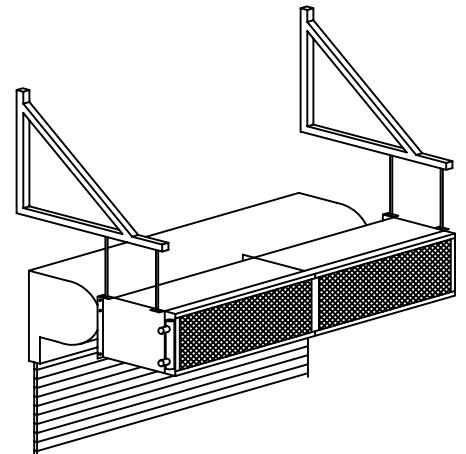
Wall Mount - Rear flanges of aire curtain have six holes, for six 7/16 inch bolts or lags with washers. When wall mounting use all six holes.



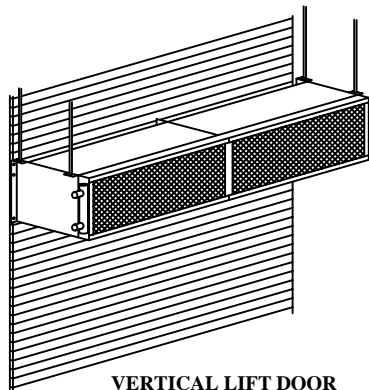
HIGH TURN-BACK TRACK DOOR



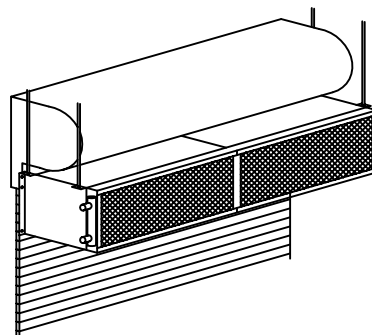
LOW TURN-BACK TRACK DOOR



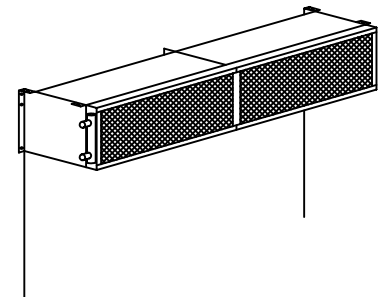
LOW ROLL-UP DOOR



VERTICAL LIFT DOOR



HIGH ROLL-UP DOOR



WALL MOUNT