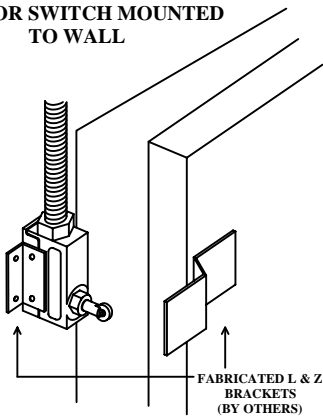


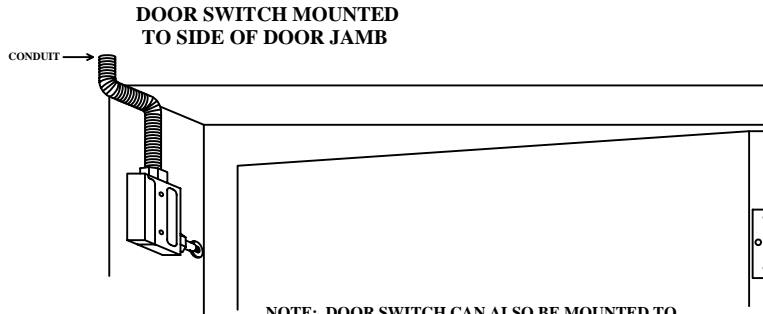


SUGGESTED DOOR SWITCH MOUNTINGS

DOOR SWITCH MOUNTED TO WALL

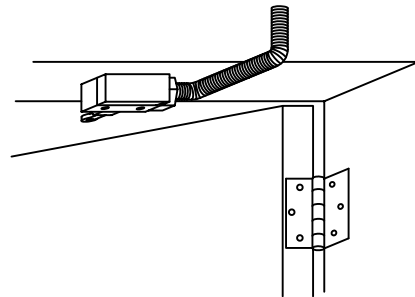


DOOR SWITCH MOUNTED TO SIDE OF DOOR JAMB

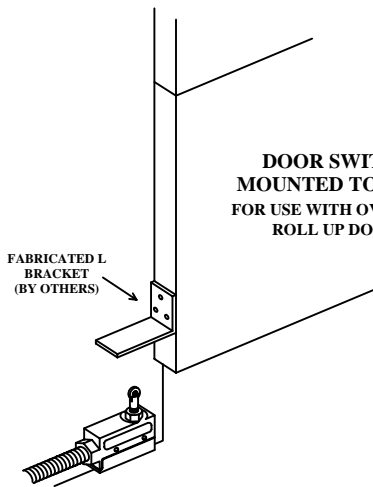


NOTE: DOOR SWITCH CAN ALSO BE MOUNTED TO HINGED SIDE OF DOOR JAMB.

DOOR SWITCH MOUNTED TO TOP OF JAMB



DOOR SWITCH MOUNTED TO WALL FOR USE WITH OVERHEAD ROLL UP DOOR

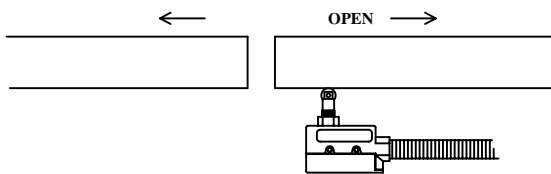


WARNING

DO NOT USE A FASTENER LARGER THAN A #6 SHEET METAL SCREW OR A #8 MACHINE SCREW TO MOUNT THESE MICRO SWITCHES. FORCING SCREWS THROUGH THE MOUNTING HOLES DESTROYS THE SWITCH AND VOIDS THE WARRANTY.

DOOR SWITCH MOUNTED TO UPPER DOOR JAMB FOR USE WITH SLIDING DOORS

TOP VIEW



FRONT VIEW

