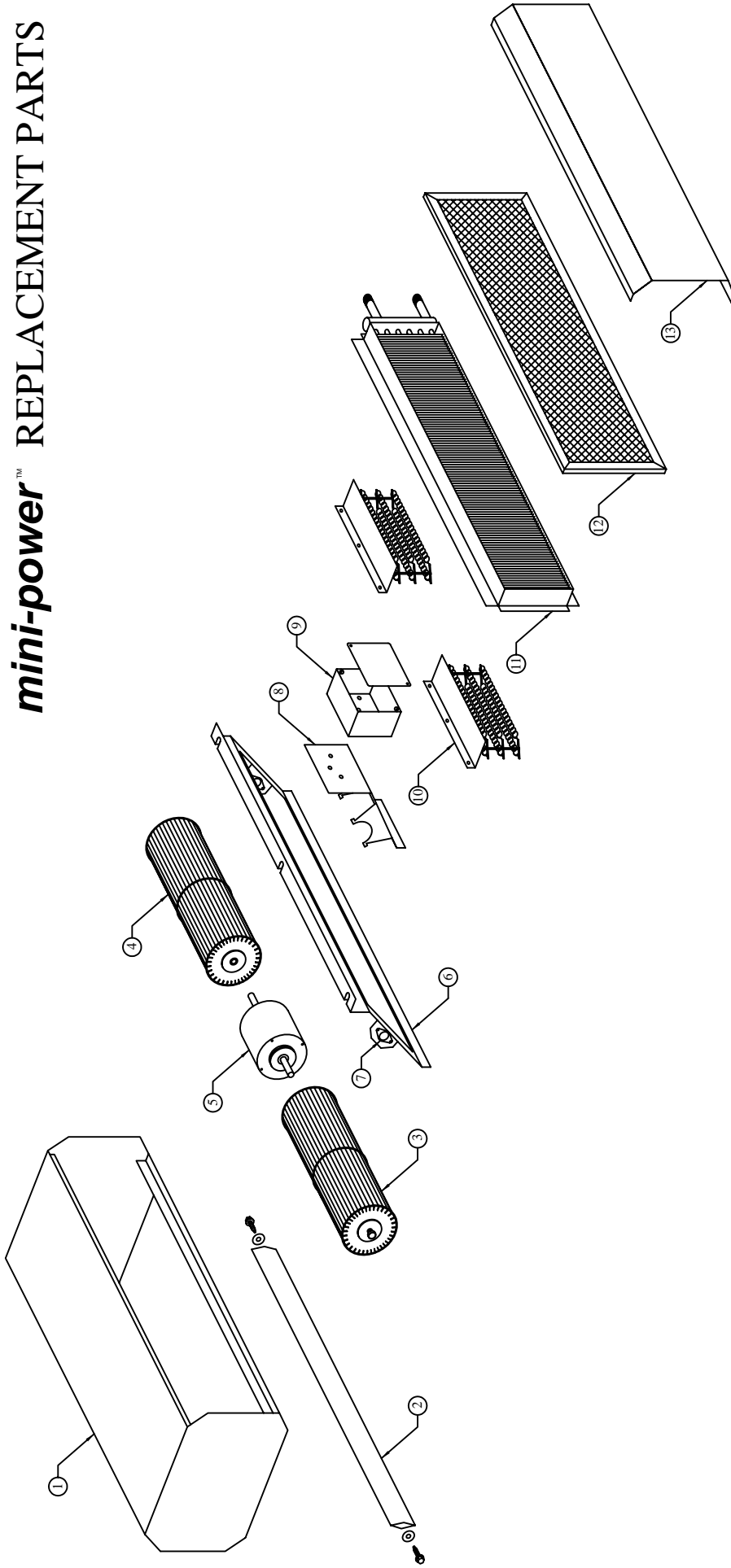


# mini-power™ REPLACEMENT PARTS



\* FOR PART NUMBERS BELOW:  
 REPLACE XXX WITH THE UNIT SIZE - 030, 036, 042, 048, 060, 072, 084, 096, 108, OR 120

ITEM #	DESCRIPTION	PART #	DESCRIPTION	PART #
1	OUTER CASE	MPCAS-XXX	MOTOR / BLOWER PLATE	MBPLATE-XXX
2	STEERING VANE	MPSV-XXX	BEARING CAP	MPBRCAP
3	14" BLOWER WHEEL (LEFT)	MPBLR-14L	MOTOR BRACKET	MPMTRBR
3	20" BLOWER WHEEL (LEFT)	MPBLR-20L	JUNCTION BOX WITH LID	MPJBOX
3	22" BLOWER WHEEL (LEFT)	MPBLR-22L	ELECTRIC HEATER (208 VOLT)	MPHT-208
3	26" BLOWER WHEEL (LEFT)	MPBLR-26L	ELECTRIC HEATER (240 VOLT)	MPHT-240
4	14" BLOWER WHEEL (RIGHT)	MPBLR-14R	ELECTRIC HEATER (480 VOLT)	MPHT-480
4	20" BLOWER WHEEL (RIGHT)	MPBLR-20R	ELECTRIC HEATER (575 VOLT)	MPHT-575
4	22" BLOWER WHEEL (RIGHT)	MPBLR-22R	HOT WATER / STEAM COIL	CONSULT FACTORY
4	26" BLOWER WHEEL (RIGHT)	MPBLR-26R	FILTER	MPFLT-XXX
5	MOTOR (120 VOLT, SINGLE PHASE)	MPMOT-120	SCREEN	MPSCR-XXX
5	MOTOR (208/230 VOLT, SINGLE PHASE)	MPMOT-230		

**POWERED AIRE™ INC.**  
 109 Moynihan Rd., Greenville, PA 16125

DATE: 04/05/05

DRAWN BY: B.K.J.

POWERED AIR SYSTEMS  
 MODEL MP REPLACEMENT PARTS