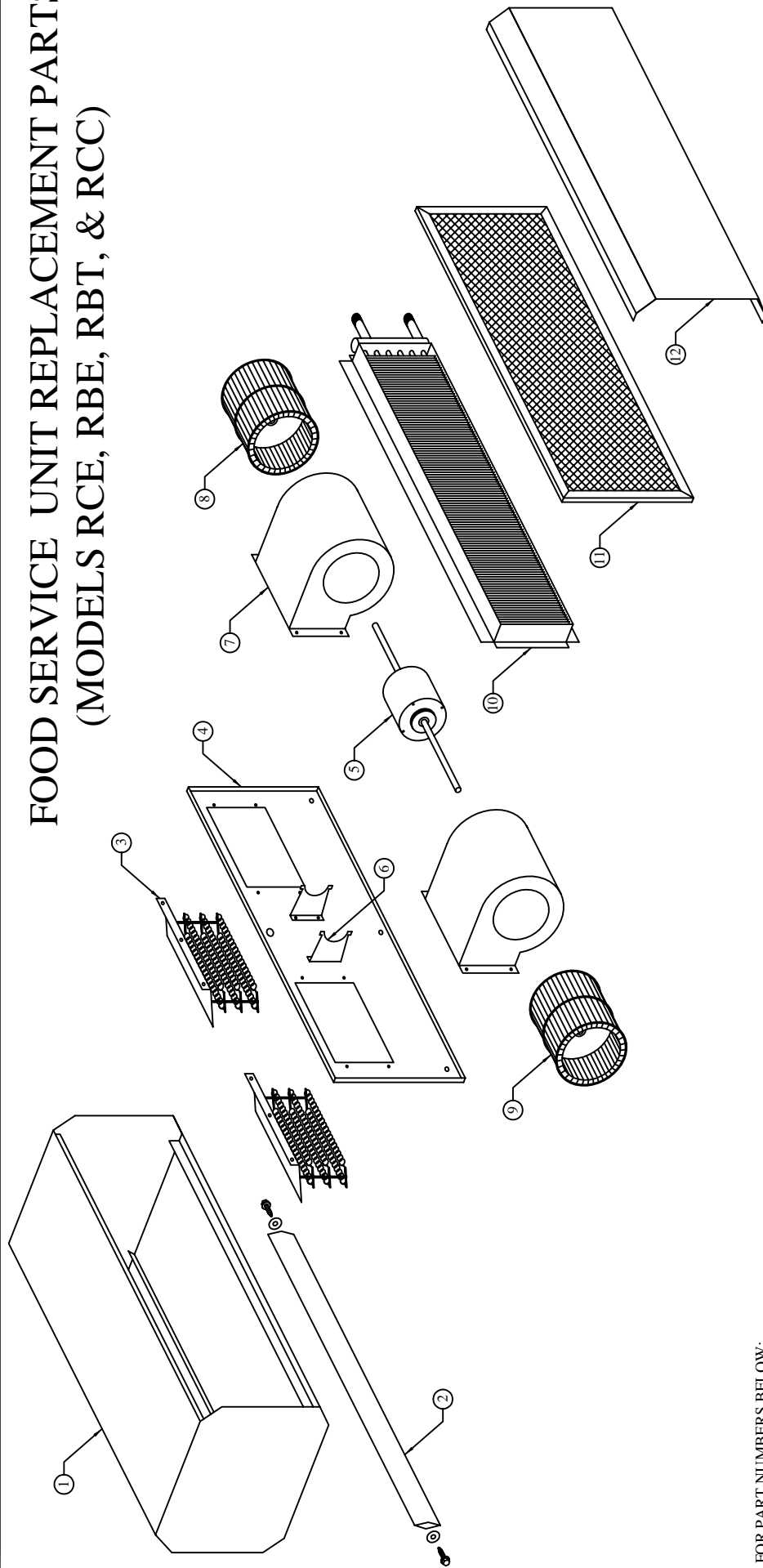


FOOD SERVICE UNIT REPLACEMENT PARTS (MODELS RCE, RBE, RBT, & RCC)



* FOR PART NUMBERS BELOW:
 REPLACE XXXX WITH THE UNIT SIZE - 036, 042, 048, 060, 072, 084, 096, 108, 120
 REPLACE YYY WITH THE MODEL - RCE, RBE, RBT, RCC

ITEM #	DESCRIPTION	PART #	ITEM #	DESCRIPTION	PART #
1	OUTER CASE	CMCAS-XXX	5	MOTOR (120 VOLT, SINGLE PHASE)	7124-120-YYY
2	STEERING VANE	CMSV-XXX	5	MOTOR (208/230 VOLT, SINGLE PHASE)	7124-230-YYY
3	ELECTRIC HEATER (208 VOLT, DOUBLE COIL)	21-3307-00	5	MOTOR (480 VOLT, SINGLE PHASE)	7124-480-YYY
3	ELECTRIC HEATER (240 VOLT, DOUBLE COIL)	21-3307-01	5	MOTOR (575 VOLT, SINGLE PHASE)	7124-575-YYY
3	ELECTRIC HEATER (480 VOLT, DOUBLE COIL)	21-3307-02	6	MOTOR MOUNT (FOR SINGLE PHASE MOTOR)	2120-051
3	ELECTRIC HEATER (575 VOLT, DOUBLE COIL)	21-3307-03	7	BLOWER HOUSING	CMBLR-HS
3	ELECTRIC HEATER (208 VOLT, SINGLE COIL)	21-3317-00	8	BLOWER WHEEL (RIGHT)	CMBLR-WH-R
3	ELECTRIC HEATER (240 VOLT, SINGLE COIL)	21-3317-01	9	BLOWER WHEEL (LEFT)	CMBLR-WH-L
3	ELECTRIC HEATER (480 VOLT, SINGLE COIL)	21-3317-02	10	HOT WATER / STEAM COIL	CONSULT FACTORY
3	ELECTRIC HEATER (575 VOLT, SINGLE COIL)	21-3317-03	11	FILTER	CMFLT-XXX
4	MOTOR / BLOWER PLATE	MBPLATE-XXX	12	SCREEN	CMSCR-XXX



POWERED AIRE^{INC.}
 109 Morriensen Rd. Greenville, PA 16126

DATE: 10/01/05

POWERED AIR SYSTEMS

DRAWN BY: B.K.J.

FOOD SERVICE REPLACEMENT PARTS